

STRAIGHT TEETH BEVEL GEARS

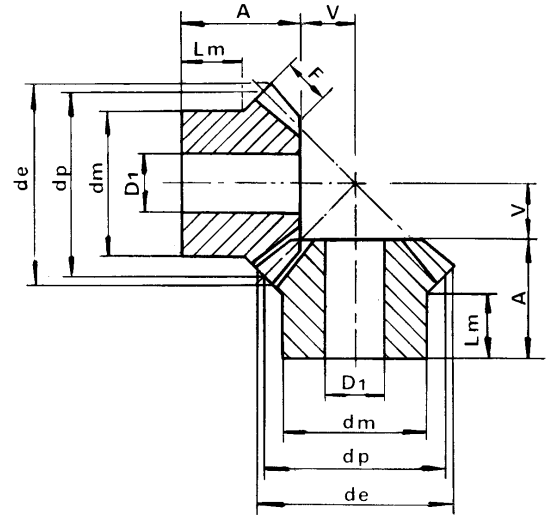
MATERIAL: C 43 – UNI 7847

M	Z	d _p	d _e	F	A	d _m	D ₁	L	V	S	L _m
1.5	16	24.0	26.12	6	18.9	20.3	8		7.10		12
	20	30.0	32.12	10	20	22	10	18	7.40	2	8.5
	25	37.5	39.62	10	23	28	10	21	11.09	2	12
	30	45.0	47.12	12	25	30	12	22.5	13.35	2.5	12
2	16	32.0	34.83	8	23.5	25.3	8		9.50		14
	20	40.0	42.83	12	25	32	10	22	10.78	3	12
	25	50.0	52.82	14	28	40	12	25	14.28	3	12.3
	30	60.0	62.83	16	30	50	12	27	17.78	3	12.8
2.5	16	40.0	43.53	10	28.1	30.3	12		11.90		15
	20	50.0	53.53	12	30.5	40	12	27	15.43	3.5	16
	25	62.5	66.00	15	33.5	50	15	30	19.48	3.5	16
	30	75.0	78.53	18	35.5	55	15	32	23.63	3.5	16
3	16	48.0	52.25	12	31.7	40.3	12		14.30		18
	20	60.0	64.24	18	35	45	15	31	16.00	4	13.6
	25	75.0	79.24	20	38	55	15	34	22.00	4	16
	30	90.0	94.24	22	40	60	20	36	28.00	4	17
3.5	16	56.0	60.95	14	36.4	45.3	16		16.60		20
	20	70.0	74.95	22	40.5	55	15	36	18.13	4.5	17
	25	87.5	92.45	26	43.5	65	20	39	23.97	4.5	18
	30	105.0	109.95	30	48	70	20	43.5	30.02	4.5	19
4	16	64.0	69.65	15	44.3	50.3	16		19.70		25
	20	80.0	85.65	25	43	60	18	38	20.74	5	18
	25	100.0	105.65	28	45	70	20	40	28.50	5	18
	30	120.0	125.65	32	48	80	20	43	35.67	5	16
4.5	16	72.0	78.38	17.5	46.3	55.3	20		21.70		25
	20	90.0	96.38	28	48	65	20	42	23.41	6	18
	25	112.5	118.80	32	50	75	20	44	31.76	6	18
	30	135.0	141.38	35	53	90	20	47	40.82	6	17
5	16	80.0	87.07	18	48.9	60.3	20		25.10		25
	20	100.0	107.07	30	50.5	70	20	44	26.86	6.5	18.5
	25	125.0	132.07	34	53.5	90	20	47	36.36	6.5	18
	30	150.0	157.07	38	56.5	110	20	50	45.97	6.5	18

Normal axis Bevel Gears

Pressure angle: 20°
in compliance with UNI 6588

Ratio – 1:1



MATERIAL: C 43 – UNI 7847

M	Z	d _p	d _e	F	A	d _m	D ₁	L	V	S	L _m
1.5	16	24	26.68	8	19.5	21	10	18	16.33	1.5	11.3
	32	48	49.34	8	20.0	32	12	17	7.45	3	10
2	16	32	35.57	10	23.0	26	10	21	22.41	2	11.9
	32	64	65.78	10	25.0	40	12	21	10.21	4	10
2.5	16	40	44.47	12	27.5	34	12	25	28.38	2.5	14.4
	32	80	82.23	12	25.0	50	15	20	12.97	5	10
3	16	48	53.36	15	28.0	40	15	25	33.64	3	11.6
	32	96	98.68	15	30.0	60	15	24	15.31	6	10
3.5	16	56	62.26	18	33.5	48	15	30	38.83	3.5	14.4
	32	112	115.12	18	31.0	70	20	24	17.77	7	10
4	16	64	71.15	20	36.0	50	15	32	44.81	4	13.4
	32	128	131.57	20	32.0	80	20	24	20.42	8	10
4.5	16	72	80.05	22	39.5	60	20	35	51.00	4.5	15.4
	32	144	148.00	22	36.0	90	20	27	23.21	9	10
5	16	80	88.94	25	50.0	60	20	45	56.06	5	21.1
	32	160	164.46	25	38.0	100	20	28	25.52	10	10

Normal axis Bevel Gears

Pressure angle: 20°
in compliance with UNI 6588

Ratio – 1:2

