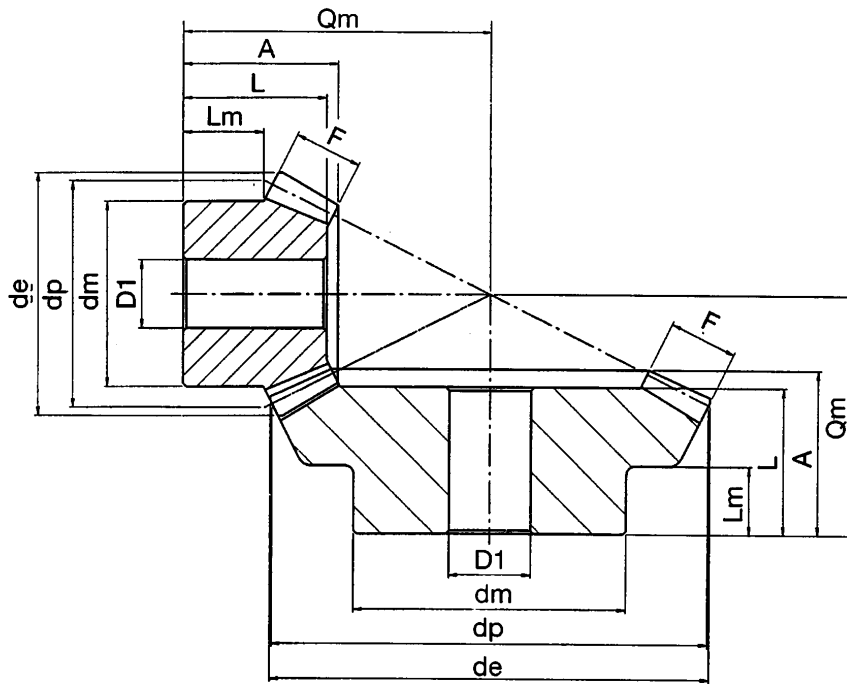


"GLEASON" SPIRAL BEVEL GEARS



RATIOS 1:2

| M | z | dp | dm | D1 | F | de | Lm | L | A | Qm | |
|-----|----|-----|----|----|----|--------|------|------|------|-----|------------------|
| 1.5 | 16 | 24 | 20 | 10 | 8 | 26.50 | 9.5 | 17 | 18.6 | 35 | -0.05 -0.10 |
| | 32 | 48 | 32 | 12 | 8 | 48.30 | 10 | 18 | 20.0 | 28 | -0.05 -0.10 |
| 2 | 16 | 32 | 27 | 10 | 10 | 35.50 | 11.7 | 21 | 22.5 | 45 | -0.05 -0.10 |
| | 32 | 64 | 40 | 12 | 10 | 64.50 | 10 | 21.5 | 24.1 | 35 | -0.05 -0.10 |
| 2.5 | 16 | 40 | 32 | 12 | 12 | 44.50 | 14 | 25.1 | 27.5 | 56 | -0.05 -0.10 |
| | 32 | 80 | 50 | 15 | 12 | 80.50 | 15 | 25.9 | 29.2 | 43 | -0.05 -0.10 |
| 3 | 16 | 48 | 40 | 15 | 15 | 53.50 | 12 | 25.2 | 28.4 | 62 | -0.076 -0.127 |
| | 32 | 96 | 60 | 15 | 15 | 97.00 | 15 | 29.8 | 34.6 | 51 | -0.076 -0.127 |
| 4 | 16 | 64 | 50 | 20 | 20 | 71.50 | 13.5 | 32.2 | 36.2 | 81 | -0.102 -0.152 |
| | 32 | 128 | 80 | 20 | 20 | 129.00 | 23 | 38.7 | 44.2 | 66 | -0.102 -0.152 |
| 5 | 16 | 80 | 60 | 20 | 25 | 89.50 | 21 | 45.3 | 50.0 | 106 | -0.127 -0.178 |
| | 32 | 160 | 90 | 25 | 25 | 162.00 | 27 | 46.8 | 53.7 | 81 | -0.127 -0.178 |

MATERIAL: C 43 UNI 7847