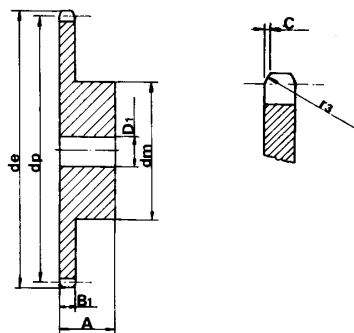


S P R O C K E T S

5 x 2.5 mm

for roller chains in compliance with DIN 8187 ISO/R 606

Z	d _e	d _p	SINGLE		
			d _m	D1	A
8	15.2	13.06	7	4	10
9	16.8	14.62	8	5	10
10	18.3	16.18	9	5	10
11	19.9	17.75	11	6	10
12	21.5	19.32	12	6	10
13	23.0	20.89	14	6	10
14	24.6	22.47	15	6	10
15	26.2	24.04	16	6	10
16	27.8	25.63	18	8	13
17	29.4	27.20	18	8	13
18	30.9	28.79	18	8	13
19	32.5	30.38	18	8	13
20	34.1	31.96	18	8	13
21	35.7	33.54	20	8	13
22	37.3	35.13	20	8	13
23	38.9	36.72	20	8	13
24	40.5	38.30	20	8	13
25	42.0	39.89	20	8	13
26	43.6	41.48	25	8	15
27	45.2	43.07	25	8	15
28	46.8	44.65	25	8	15
29	48.4	46.25	25	8	15
30	50.0	47.83	25	8	15
31	51.6	49.42	30	8	15
32	53.2	51.01	30	8	15
33	54.8	52.60	30	8	15
34	56.3	54.19	30	8	15
35	57.9	55.78	30	8	15
36	59.5	57.37	30	8	15
37	61.1	58.96	30	8	15
38	62.7	60.54	30	8	15
39	64.3	62.13	30	8	15
40	65.9	63.73	30	8	15



SPROCKET mm

TOOTH RADIUS r ₃	5
RADIUS WIDTH C	0.6
SPROCKET TOOTH WIDTH B ₁	2.3

CHAIN mm

PITCH	5
INTERNAL WIDTH	2.5
ROLLER - Ø	3.2

MATERIAL: C 45 UNI 7847

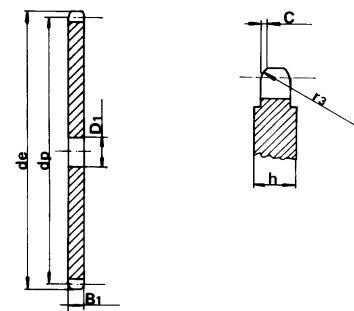
P L A T E W H E E L S

5 x 2.5 mm

for roller chains in compliance with DIN 8187 ISO/R 606

The wheel disc size is increased by h = 4mm starting from Z.51

Z	d _e	d _p	S	
			D ₁	D ₁
8	15.2	13.06	4	44
9	16.8	14.62	4	45
10	18.3	16.18	4	46
11	19.9	17.75	5	47
12	21.5	19.32	5	48
13	23.0	20.89	5	49
14	24.6	22.47	5	50
15	26.2	24.04	5	51
16	27.8	25.63	6	52
17	29.4	27.20	6	53
18	30.9	28.79	6	54
19	32.5	30.38	6	55
20	34.1	31.96	6	56
21	35.7	33.54	8	57
22	37.3	35.13	8	58
23	38.9	36.72	8	59
24	40.5	38.30	8	60
25	42.0	39.89	8	62
26	43.6	41.48	8	64
27	45.2	43.07	8	65
28	46.8	44.65	8	66
29	48.4	46.25	8	68
30	50.0	47.83	8	70
31	51.6	49.42	8	72
32	53.2	51.01	8	75
33	54.8	52.60	8	76
34	56.3	54.19	8	78
35	57.9	55.78	8	80
36	59.5	57.37	8	85
37	61.1	58.96	8	90
38	62.7	60.54	8	95
39	64.3	62.13	8	100
40	65.9	63.73	8	110
41	67.5	65.31	8	114
42	69.1	66.91	8	120
43	70.6	68.49	8	125



PLATEWHEEL mm

TOOTH RADIUS r ₃	5
RADIUS WIDTH C	0.6
PLATE TOOTH WIDTH B ₁	2.3

CHAIN mm

PITCH	5
INTERNAL WIDTH	2.5
ROLLER - Ø	3.2