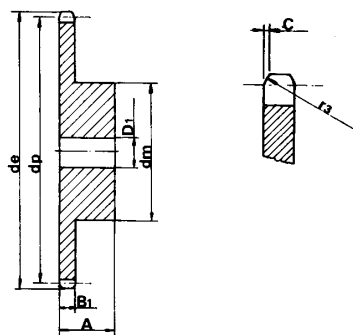


# S P R O C K E T S

Z	d <sub>e</sub>	d <sub>p</sub>	SINGLE		
			d <sub>m</sub>	D1	A
8	19.4	16.58	10	6	12
9	21.4	18.56	11.5	6	12
10	23.3	20.55	13	6	12
11	25.3	22.54	15	8	13
12	27.3	24.53	17	8	13
13	29.3	26.53	17	8	13
14	31.3	28.53	17	8	13
15	33.3	30.53	20	8	13
16	35.3	32.55	22	8	14
17	37.3	34.55	22	8	14
18	39.4	36.56	25	8	14
19	41.4	38.58	25	8	14
20	43.4	40.58	25	8	14
21	45.4	42.60	30	8	14
22	47.4	44.62	30	8	14
23	49.4	46.63	30	8	14
24	51.4	48.64	30	8	14
25	53.5	50.66	30	8	14
26	55.5	52.67	30	8	16
27	57.5	54.69	30	8	16
28	59.5	56.71	30	8	16
29	61.5	58.73	30	8	16
30	63.6	60.75	30	8	16
31	65.6	62.76	30	8	16
32	67.6	64.78	30	8	16
33	69.6	66.80	30	8	16
34	71.6	68.82	30	8	16
35	73.6	70.84	30	8	16
36	75.6	72.85	30	8	16
37	77.7	74.87	30	8	16
38	79.7	76.89	30	8	16
39	81.7	78.91	30	8	16
40	83.7	80.93	30	8	16

## 1/4" x 1/8"

for roller chains in compliance with DIN 8188 ASA 25 ISO/R 606 - ANSI B 29.1



### SPROCKET mm

TOOTH RADIUS r <sub>3</sub>	6.4
RADIUS WIDTH C	0.7
SPROCKET TOOTH WIDTH B <sub>1</sub>	2.9

### CHAIN mm

PITCH	6.35
INTERNAL WIDTH	3.18
ROLLER - ∅	3.3

MATERIAL: C 45 UNI 7847

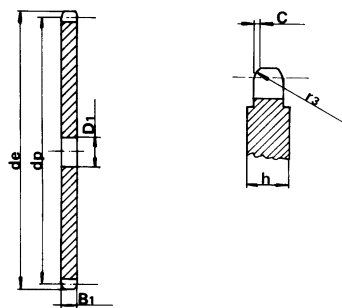
# P L A T E W H E E L S

Z	d <sub>e</sub>	d <sub>p</sub>	S		Z	d <sub>e</sub>	d <sub>p</sub>	S	
			D <sub>1</sub>					D <sub>1</sub>	
8	19.4	16.58	6		44	91.8	89.01	10	
9	21.4	18.56	6		45	93.8	91.03	10	
10	23.3	20.55	6		46	95.8	93.05	10	
11	25.3	22.54	8		47	97.9	95.07	10	
12	27.3	24.53	8		48	99.9	97.09	10	
13	29.3	26.53	8		49	101.9	99.10	10	
14	31.3	28.53	8		50	103.9	101.13	10	
15	33.3	30.53	8		51	105.9	103.14	12	
16	35.3	32.55	8		52	108.0	105.16	12	
17	37.3	34.55	8		53	110.0	107.18	12	
18	39.4	36.56	8		54	112.0	109.18	12	
19	41.4	38.58	8		55	114.0	111.23	12	
20	43.4	40.58	8		56	116.0	113.25	12	
21	45.4	42.60	8		57	118.1	115.27	12	
22	47.4	44.62	8		58	120.1	117.29	12	
23	49.4	46.63	8		59	122.1	119.31	12	
24	51.4	48.64	8		60	124.1	121.32	12	
25	53.5	50.66	8		62	128.2	125.37	12	
26	55.5	52.67	8		64	132.2	129.41	12	
27	57.5	54.69	8		65	134.2	131.43	12	
28	59.5	56.71	8		66	136.2	133.45	14	
29	61.5	58.73	8		68	140.3	137.49	14	
30	63.6	60.75	8		70	144.3	141.53	14	
31	65.6	62.76	10		72	148.4	145.58	14	
32	67.6	64.78	10		75	154.4	151.63	14	
33	69.6	66.80	10		76	156.5	153.66	14	
34	71.6	68.82	10		78	160.5	157.70	16	
35	73.6	70.84	10		80	164.5	161.74	16	
36	75.6	72.85	10		85	174.6	171.85	16	
37	77.7	74.87	10		90	184.7	181.95	16	
38	79.7	76.89	10		95	194.8	192.05	16	
39	81.7	78.91	10		100	204.9	202.15	16	
40	83.7	80.93	10		110	225.1	222.37	16	
41	85.7	82.95	10		114	233.2	230.45	16	
42	87.8	84.97	10		120	245.4	242.58	16	
43	89.8	86.98	10		125	255.5	252.68	16	

## 1/4" x 1/8"

for roller chains in compliance with DIN 8188 ASA 25 ISO/R 606 - ANSI B 29.1

The wheel disc size is increased by h = 4mm starting from Z.51



### PLATEWHEEL mm

TOOTH RADIUS r <sub>3</sub>	6.4
RADIUS WIDTH C	0.7
PLATE TOOTH WIDTH B <sub>1</sub>	2.9

### CHAIN mm

PITCH	6.35
INTERNAL WIDTH	3.18
ROLLER - ∅	3.3